

## GHG-JHW16S Soft Close Damper Hinge

### Features

- Hinge with built-in damper provides soft-close or soft-opening motions
- Possible to combine "with damper type" and "without damper type" as a pair to achieve desired torque range
- Passed 70,000 life cycle test

### Material

- PBT, emboss finish, dark grey colour

### Notes

- Operating temperature: 0°C ~ 40°C
- Install a stopper at the lid opening / closing position if required to limit swivelling range to suit application
- Ensure both hinge shafts are levelled and aligned during installation

### Recommended Screws

- M5 hexagon socket head cap screws (4 pcs)
- Washers 5 (4 pcs)

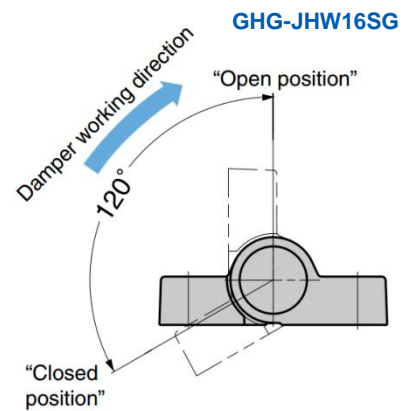
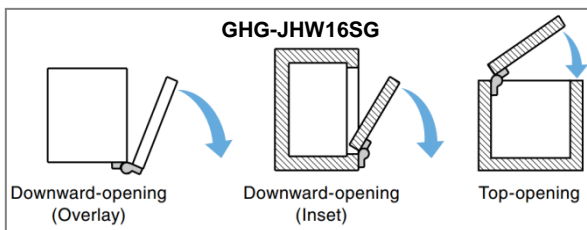
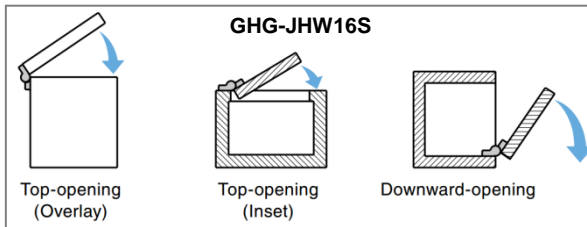
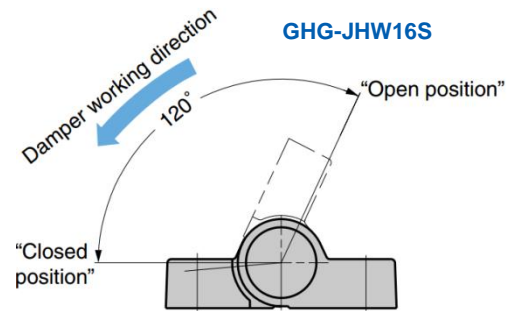
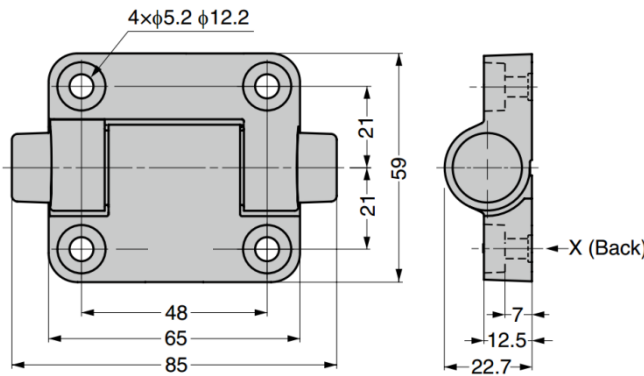
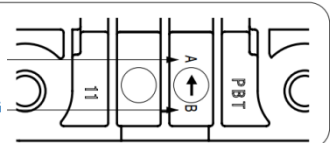


View X (back)

Marking (arrow)

GHG-JHW16S

GHG-JHW16SG



"Opening" and "Closing" directions shown above are for the case of external installation

Part No.	Damper Working Direction	Torque (per piece)	
GHG-JHW16S-34	For Closing	2.0 ~ 3.4 N.m	20.4 ~ 34.7 kgf.cm
GHG-JHW16S-50		3.4 ~ 5.0 N.m	34.7 ~ 51.0 kgf.cm
GHG-JHW16S-34G	For Opening	2.0 ~ 3.4 N.m	20.4 ~ 34.7 kgf.cm
GHG-JHW16S-50G		3.4 ~ 5.0 N.m	34.7 ~ 51.0 kgf.cm
GHG-JHW16S-00	Without Damper	-	-